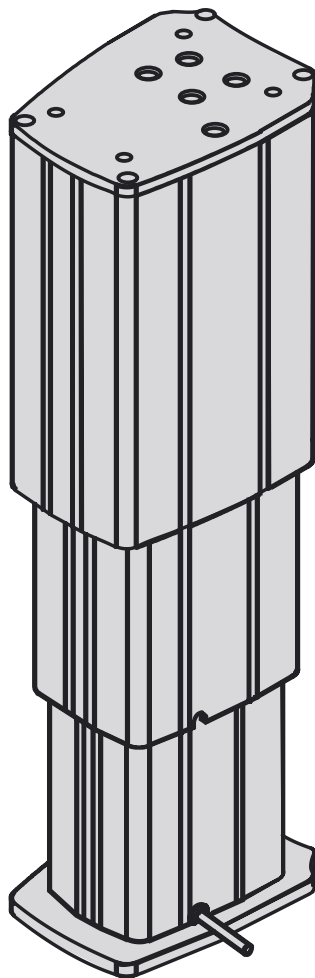
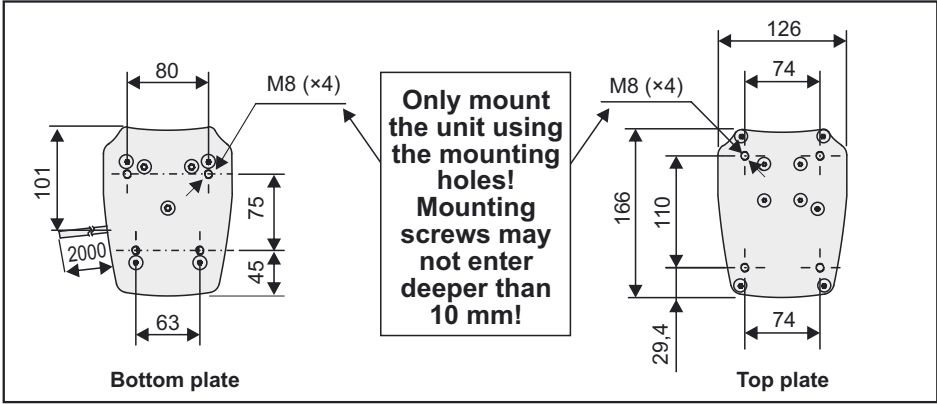


Installation manual for lifting column Movoact TC16

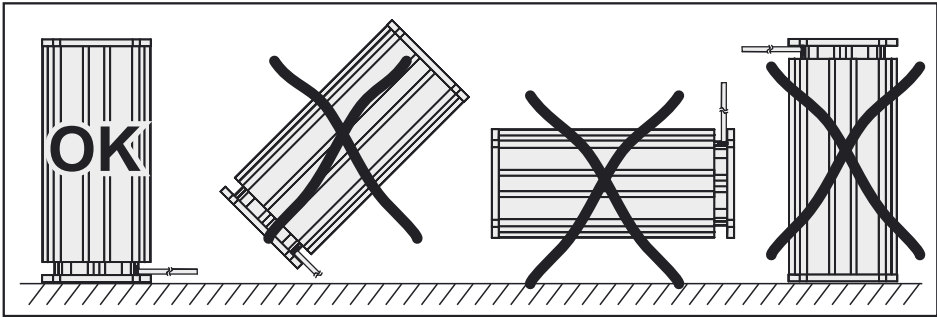


CE
24 VDC

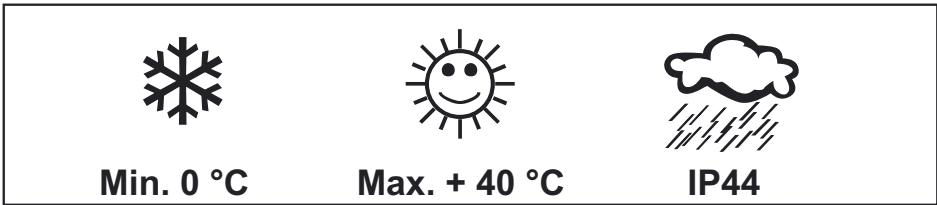
Mounting plates



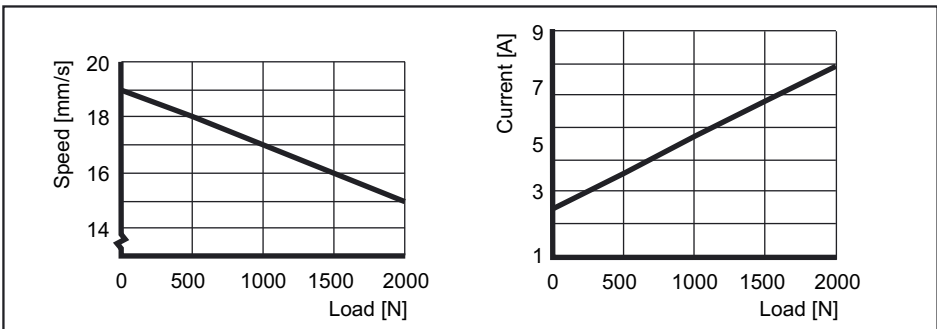
Basic mounting rules



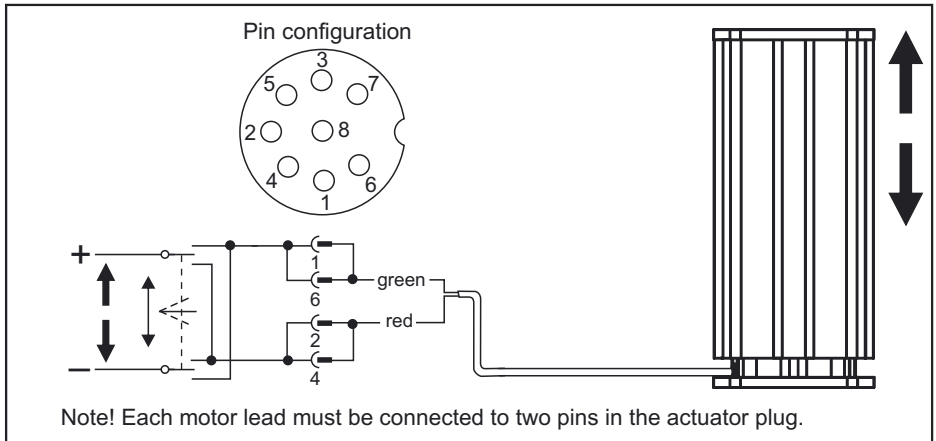
Environment



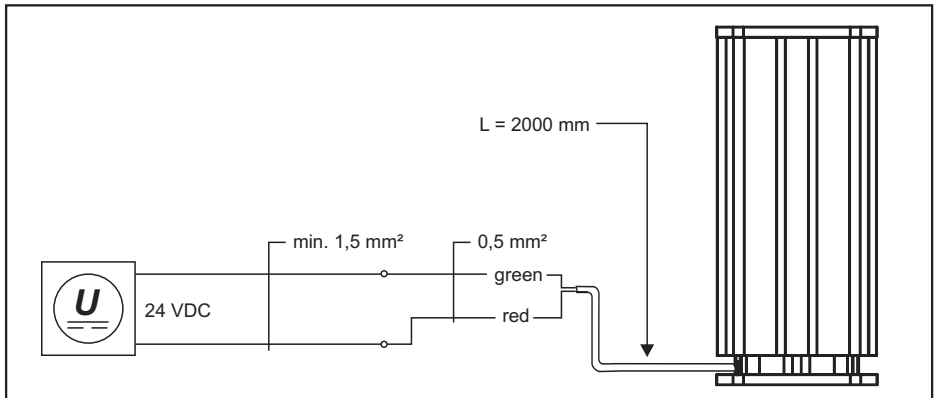
Performance data



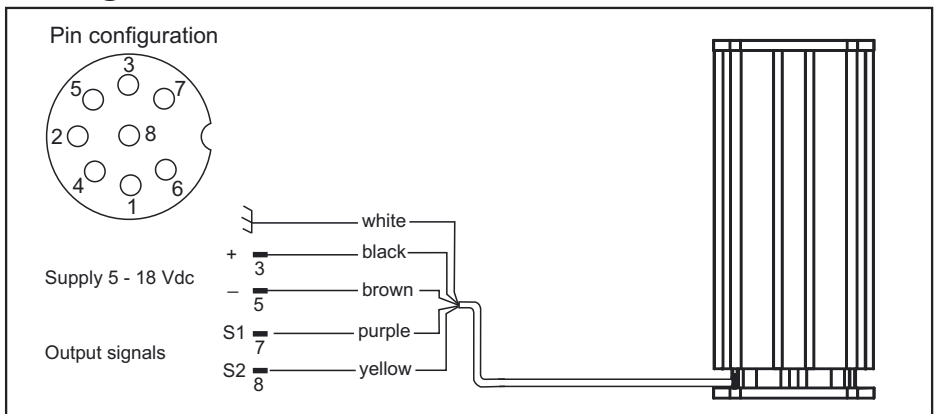
Connection of actuator motor



Wire cross section for motor leads



Wiring of encoder on encoder models



CAUTION!

Always turn the power off before working on the actuator or the wiring.

Technical data

	Movoact TC16
Motor	DC-motor
Supply voltage	24 Vdc
Max. load	2000 N
Max. static load torque	500 Nm
Max. dynamic load torque	150 Nm (in worst case, value can be higher depending on the retracted length)
Stroke tolerance*	0 – +4 mm
Retracted length tolerance*	0 – -4 mm
Max. current @ max. load	8 A
Max. speed @ min. load	19 mm/s
Mounting position	vertically with cable at floor only
Duty cycle	15 % @ 20° C
Max. on time	1 min.
Ambient temperature	0 – + 40 °C
Protection class	IP 44
Lubrication	for life
Self locking	yes
Load holding brake	yes
End of stroke protection	limit switches
Weight	kg = 3,4 + L x 0,0203 + S x 0,000755
EMC recognitions Emission Immunity:	EN 61000-6-3:2001, EN 60601-1-2:1993, EN 55011 Class B EN61000-6-2:2001, EN61000-4-2, EN 61000-4-3
Encoder option data Supply voltage Pulses per mm/stroke Output type Output current Output voltage	5 - 18 Vdc 6,62 open collector Isource: ≤ 400µA Isink: ≤ 2mA Uout High: ≥ Usupply × 0,7 Uout Low: ≤ 1,5V

* Tolerance of the ordered stroke and the ordered retracted length.

Always install fuse and / or thermal breaker between motor and power supply to protect actuator, wiring and other items.

TOLLO LINEAR AB

PRINTED IN SWEDEN © 2004 DW110496gb-0606
Printed on recycled paper

Box 9053, SE-291 09 Kristianstad, Sweden
Tel. +46 (0)44-246700 Fax. +46 (0)44-244085