


## Technical data



Available input voltages [Vdc]	12, 24 or 36
Available screw types	Acme or Ball
Max. static load at fully retracted [N]	
Acme screw models	11 350
Ball screw models	18 000
Min. / max. standard stroke [mm]	50 / 600
Duty cycle @ 25° C [%]	25
Temperature limits at operation [°C]	- 25 to + 65
Protection degree	IP65
Max. end play [mm]	1
Restraining torque [Nm]	–
Wire cross section [mm <sup>2</sup> ]	2
Wire length [mm]	165
Connector included	yes

## Features

- Rugged and robust
- Aluminium cover tube with T-slot
- Position sensors can be fitted to the T-slots
- Trunnion mounting possible
- Anti rotation mechanism
- Weather resistant (IP65)
- Overload clutch (set to 1,2 – 1,5 × max. permissible load)
- Motor with auto reset thermal overload protection
- Acme or ball screw drive
- Holding brake prevents back driving on ball screw models
- Acme screw models are self-locking
- Safety nut on all ball screw models
- Can operate in a large temperature range
- Accepts large input voltage variations
- Maintenance free

## Options

- Potentiometer feedback
- Hand wind
- Custom RAL color

## Performance table

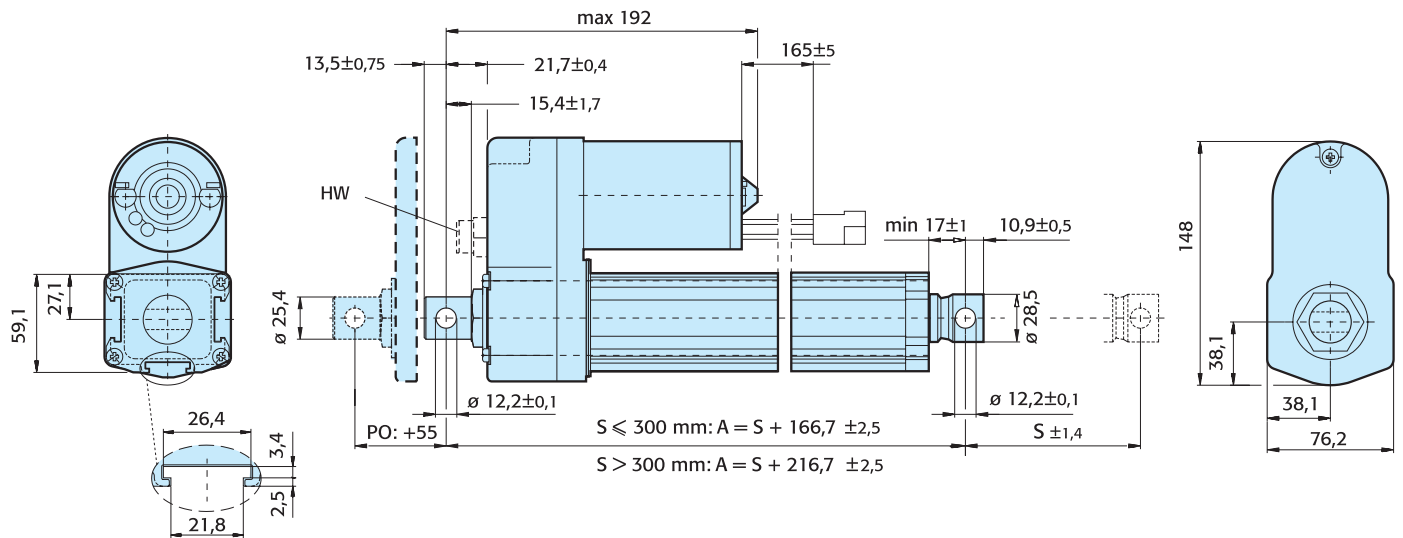
Model	Max. dynamic load [N]	Speed @ min. load [mm/s]	Speed @ max. load [mm/s]
DA12-05A5	1100	54	32
DA24-05A5	1100	54	32
DA12-05B5	2250	61	37
DA24-05B5	2250	61	37
DA12-10A5	2250	30	18
DA24-10A5	2250	30	18
DA12-10B5	4500	30	19
DA24-10B5	4500	30	19
DA12-20A5	2250	15	12
DA24-20A5	2250	15	12
DA12-20B5	4500	15	12
DA24-20B5	4500	15	12
DA12-21B5	6800	15	11
DA24-21B5	6800	15	11

## Standard strokes

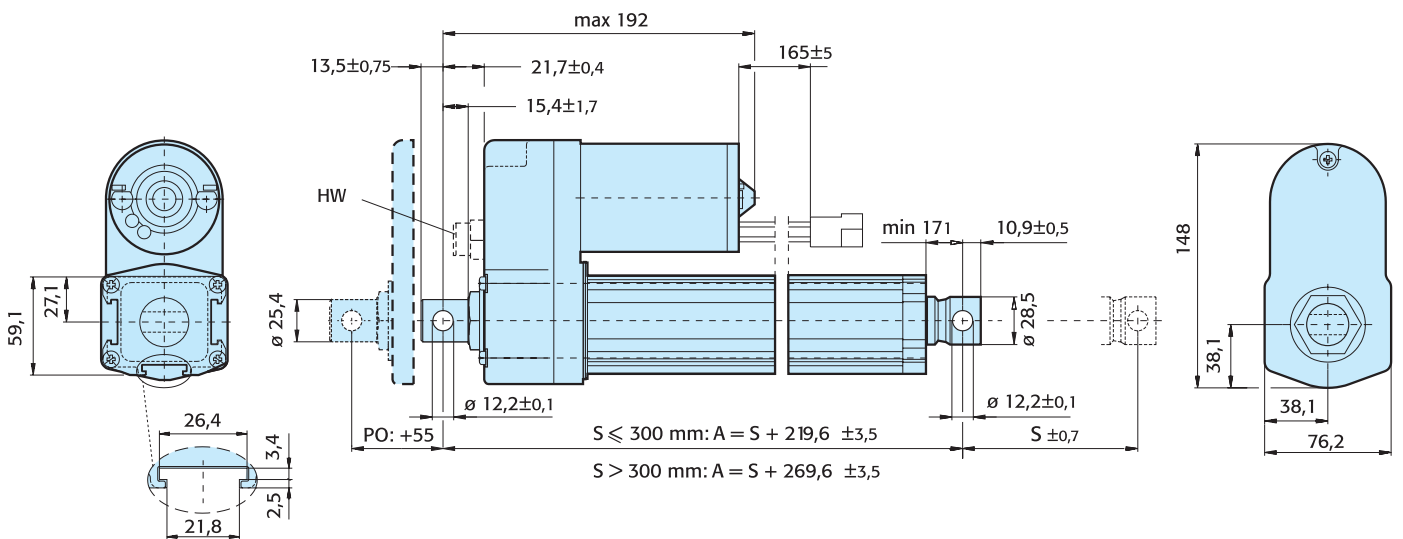
Ordering stroke [cm]	Actual stroke S [mm]
5	50
10	100
15	150
20	200
25	250
30	300
35	350
40	400
45	450
50	500
55	550
60	600

## Dimensions

### Acme screw driven models



### Ball screw driven models



## Performance diagrams

