

Technical data



Available input voltages [Vac]	1 × 110 or 1 × 230
Input frequency [Hz]	50 / 60
Available screw types	Ball
Max. static load at fully retracted [N]	13 350
Min. / max. standard stroke [inch]	4 / 36
Max. coast distance (without anti coast or electrical brake option) [mm]	1,6
Duty cycle @ 20° C [%]	30
Temperature limits at operation [°C]	- 25 to + 65
Max. end play [mm]	1
Wire cross section [mm ²]	0,75
Wire length [mm]	500
Connector included	no

Features

- Robust and versatile
- Overload clutch
- Motor with auto reset thermal overload protection
- Ball screw drive
- Holding brake prevents back driving
- Can operate in a large temperature range
- Accepts large input voltage variations
- Maintenance free
- Built in capacitor
- Trunnion to clevis mounting

Options

- Anti coast brake on 110 and 230 Vac models
- Electrical brake on 110 Vac models
- Potentiometer feedback
- Hall effect feedback
- End of stroke limit switches
- Protective bellows

Performance table

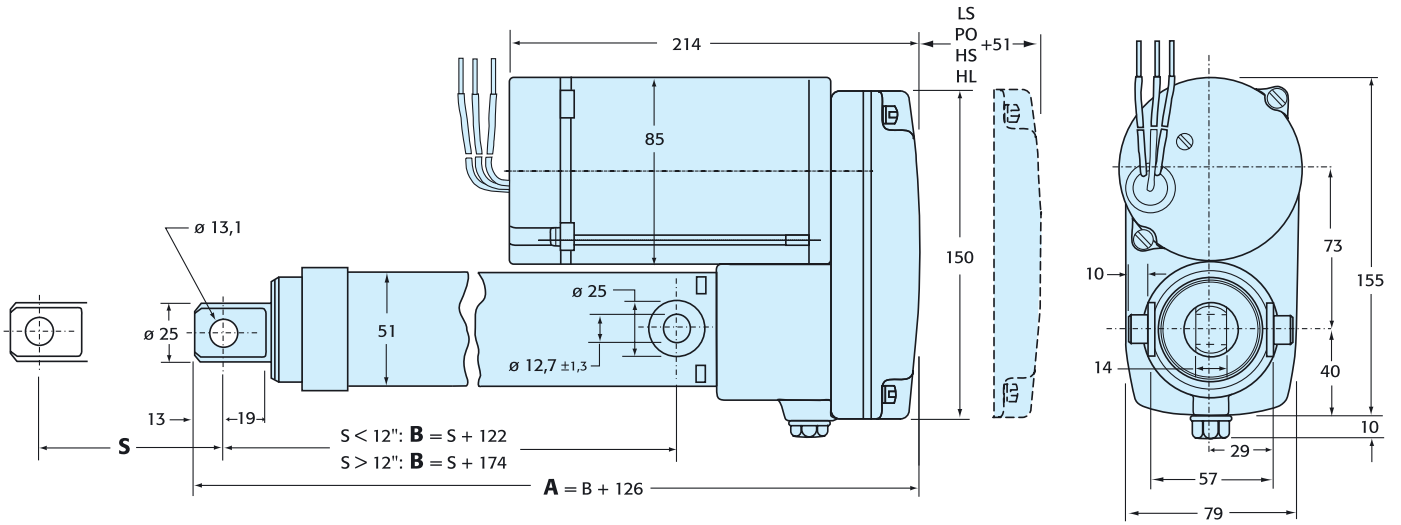
Model	Max. dynamic load [N]	Speed @ min. load [mm/s]	Speed @ max. load [mm/s]
PPA11-18B65	2220	15	14
PPA22-18B65	2220	12,5	12
PPA11-58B65	6670	5	5
PPA22-58B65	6670	5	5

Standard strokes

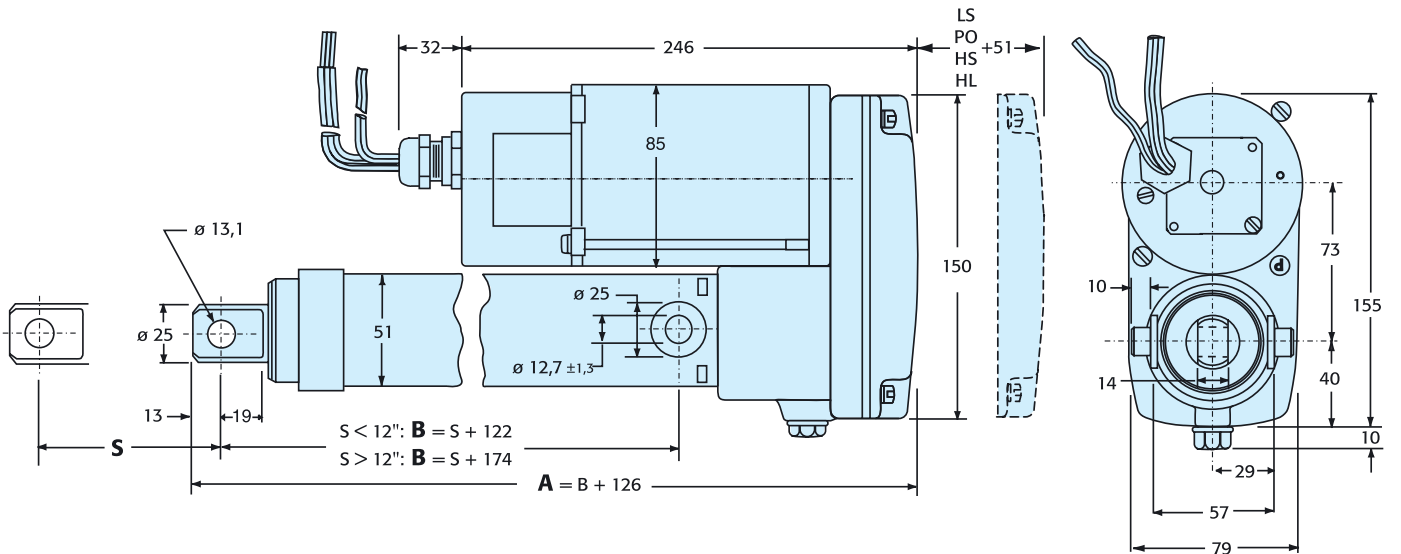
Ordering stroke [inch]	Actual stroke S [mm]
4	101,6
8	203,2
12	304,8
18	457,2
24	609,6
36	914,4

Dimensions

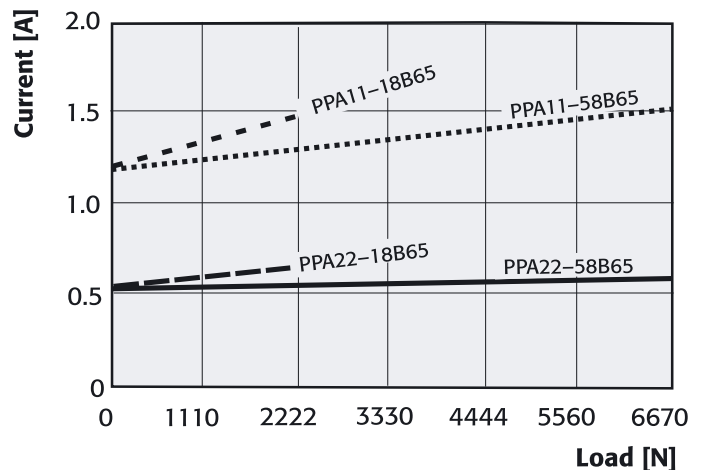
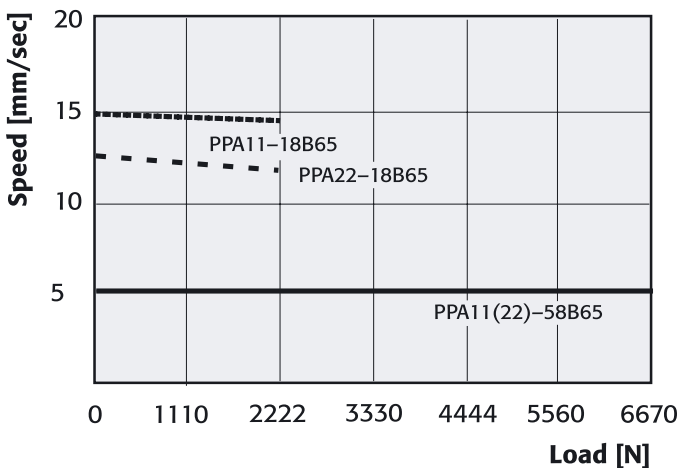
110 and 230 Vac models



110, 230 Vac models with anti coast brake or 110 Vac models with electrical brake



Performance diagrams



Elecktrak PPA-AC

Designation example	PPA22-	58B65	-	06	SB	XX	X
Actuator type and supply voltage PPA, 1 × 110 Vac, 50/60 Hz PPA, 1 × 230 Vac, 50/60 Hz	PPA11- PPA22-						
Gear ratio / screw type / screw diameter / screw lead 18:1 / ball screw / 16 mm / 5 mm 58:1 / ball screw / 16 mm / 5 mm		18B65 58B65					
Hyphen			-				
Stroke 4 inch (101,6 mm) 6 inch (152,4 mm) 8 inch (203,2 mm) 12 inch (304,8 mm) 18 inch (457,2 mm) 24 inch (609,6 mm) 36 inch (914,4 mm)				04 06 08 12 18 24 36			
Brake option No anti coast brake or electrical brake Anti coast brake Electrical brake (only possible on 110 Vac models)					N- SB EB		
Feedback option No feedback option End of stroke limit switches Potentiometer feedback Hall effect sensor Hall effect sensor + end of stroke limit switches						XX LS PO HS HL	
Bellows option No bellows Bellows							X C