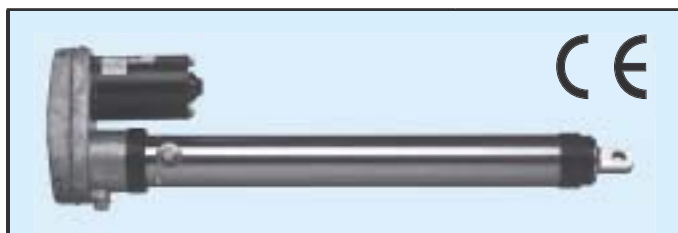


Technical data



Available input voltages [Vdc]	12, 24 or 36
Available screw types	Ball
Max. static load at fully retracted [N]	13 350
Min. / max. standard stroke [inch]	4 / 36
Duty cycle @ 20° C [%]	30
Temperature limits at operation [°C]	- 25 to + 65
Max. end play [mm]	1
Wire cross section [mm²]	2
Wire length [mm]	400
Connector included	no

Features

- Robust and versatile
- Overload clutch
- Ball screw drive
- Holding brake prevents back driving
- Can operate in a large temperature range
- Accepts large input voltage variations
- Maintenance free
- Trunnion to clevis mounting

Options

- Potentiometer feedback
- Hall effect feedback
- End of stroke limit switches
- Protective bellows

Performance table

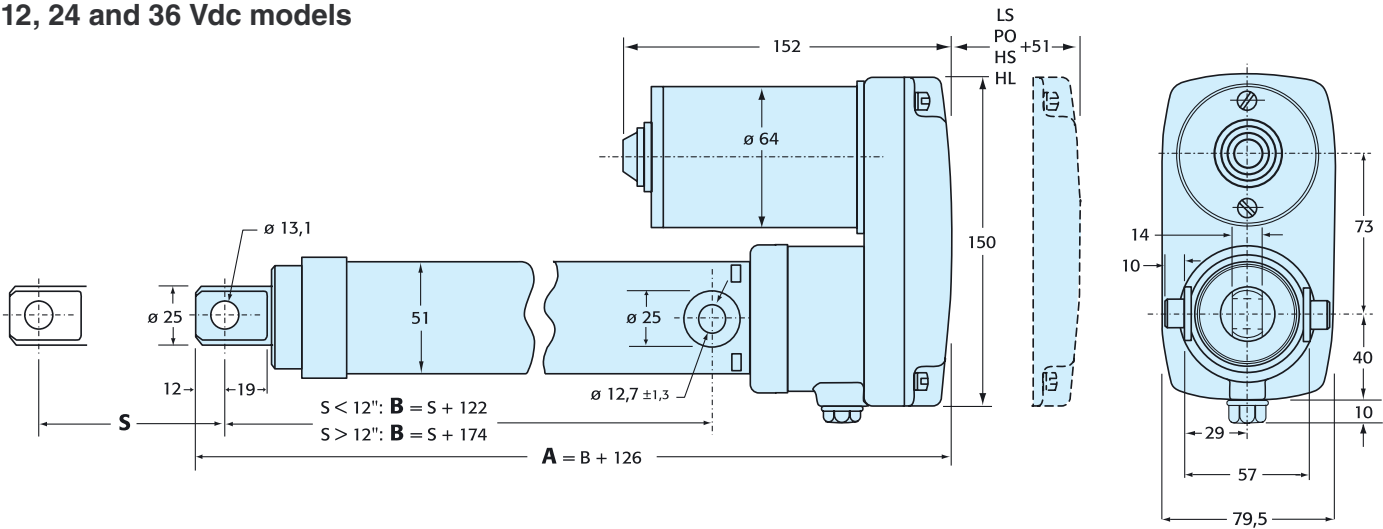
Model	Max. dynamic load [N]	Speed @ min. load [mm/s]	Speed @ max. load [mm/s]
PPA12-18B65	3330	33	28
PPA24-18B65	3330	33	28
PPA36-18B65	3330	33	28
PPA12-58B65	6670	12	10
PPA24-58B65	6670	12	10
PPA36-58B65	6670	12	10

Standard strokes

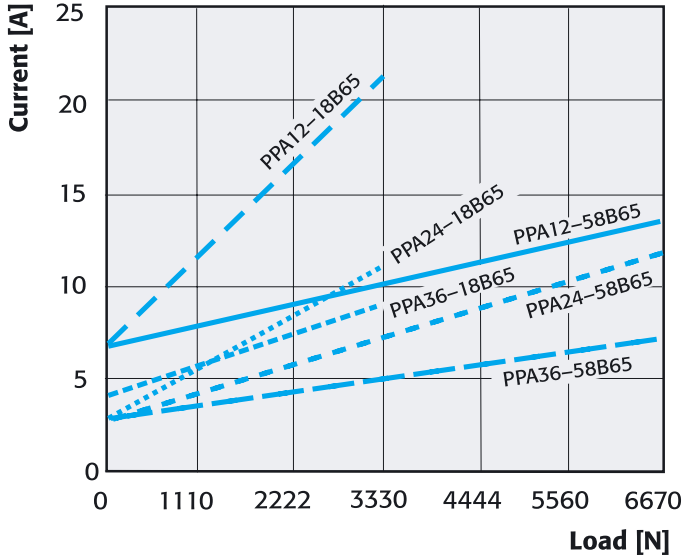
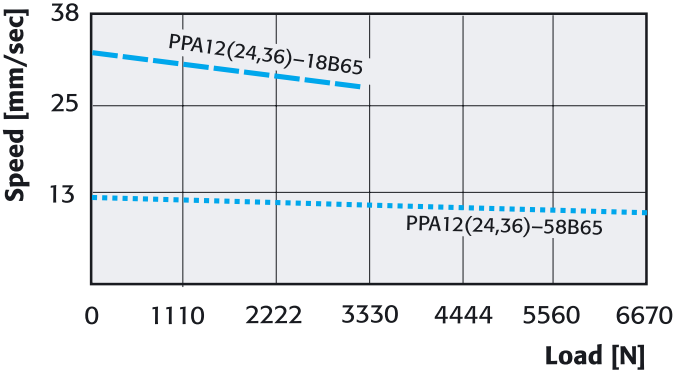
Ordering stroke [inch]	Actual stroke S [mm]
4	101,6
8	203,2
12	304,8
18	457,2
24	609,6
36	914,4

Dimensions

12, 24 and 36 Vdc models



Performance diagrams



Elecktrak PPA-DC

Designation example	PPA36-	18B65	-	12	N-	PO	C
Actuator type and supply voltage PPA, 12 Vdc PPA, 24 Vdc PPA, 36 Vdc	PPA12- PPA24- PPA36-						
Gear ratio / screw type / screw diameter / screw lead 18:1 / ball screw / 16 mm / 5 mm 58:1 / ball screw / 16 mm / 5 mm		18B65 58B65					
Hyphen			-				
Stroke 4 inch (101,6 mm) 6 inch (152,4 mm) 8 inch (203,2 mm) 12 inch (304,8 mm) 18 inch (457,2 mm) 24 inch (609,6 mm) 36 inch (914,4 mm)				04 06 08 12 18 24 36			
Brake option No anti coast brake or electrical brake					N-		
Feedback option No feedback option End of stroke limit switches Potentiometer feedback Hall effect sensor Hall effect sensor + end of stroke limit switches						XX LS PO HS HL	
Bellows option No bellows Bellows							X C